



- Color
- Up to 1984 departments
- Door Lock
- Easy installation with only 2 wires
- 2 Wires, non-polarity
- Allows doorman monitor
- Intercom function between departments and doorman
- Intercom function between departments
- Up to 4 devices on each department
- Free Software to configure the outdoor panel

2
WIRE

Stylish and robust design according with the new market trends, high definition and night vision. For buildings up to 1984 departments. Easy to use and outstanding quality.

VSP 823

MONITOR VIDEO DOORPHONE

Monitor: 4.3" TFT LCD
 Wiring: 2 Wires, non-polarity
 Automatic Monitor Off after 60 sec
 Nominal Power: 24VDC (from BPS 810)
 Consumption: <200 mA
 Video input: 1Vp-p
 Brightness: 250 cd/m2
 Microphone sensitivity: -60db
 Dimensions: 105x167x17mm
 Operation Temperature: -10°C / +50°C
 Hands Free
 OSD Menu
 Volume Selector
 Easy Installation
 Door Control
 Ultra slim / Surface Mounting
 Intercom Function
 Brightness and Contrast
 Ringtone Setting

VSP 825

MONITOR VIDEO DOORPHONE

Monitor: 4.3" TFT LCD color
 Wiring: 2 Wires, non-polarity
 Automatic Monitor Off after 60 sec
 Nominal Power: 24VDC (from BPS 810)
 Consumption: <200 mA
 Video input: 1Vp-p
 Brightness: 250 cd/m2
 Microphone sensitivity: -60db
 Dimensions: 186 x 190 x 26 mm
 Operation Temperature: -10° C / +50° C

Handset
 OSD Menu
 Volume Selector
 Easy Installation
 Door Control
 Ultra slim / Surface Mounting
 Intercom Function
 Brightness and Contrast
 Ringtone Setting

VSP 828

TOUCH MONITOR VIDEO DOORPHONE

Monitor: 7" TFT LCD color
 Wiring: 2 Wires, non-polarity
 Automatic Monitor Off after 60 sec
 Nominal Power: 24VDC (from BPS 810)
 Consumption: <200 mA
 Video input: 1Vp-p
 Brightness: 250 cd/m2
 Microphone sensitivity: -60db
 Dimensions: 125x225x23mm
 Operation Temperature: -10°C / +50°C
 Hands Free
 OSD Menu
 Volume Selector
 Easy Installation
 Door Control
 Ultra slim / Surface Mounting
 Intercom Function
 Brightness and Contrast
 Ringtone Setting

VSP 827

MONITOR VIDEO DOORPHONE

Monitor: 7" TFT LCD color
Wiring: 2 Wires, non-polarity
Automatic Monitor Off after 60 sec
Nominal Power: 20-28VDC (from BPS 810)
Consumption: <200 mA
Video input: 1Vp-p
Brightness: 250 cd/m²
Microphone sensitivity: -60db
Dimensions: 140 x 220 x 17.5 mm
Operation Temperature: -10° C / +50° C
Hands Free
OSD Menu
Volume Selector
Easy Installation
Door Control
Ultra slim / Surface Mounting
Intercom Function
Brightness and Contrast
Ringtone Setting

VSP 801

DOORMAN MONITOR

Monitor size: 3.5 inch TFT
Nominal Power: 24 – 26v
Touch Screen
Handset for private communications
Easy Installation
Door Control
Surface Mounting

VSP 818

8 BUTTON OUTDOOR UNIT

Outdoor
Wiring: 2 Wires, non-polarity
Up to 8 departments (monitors or audio handset)
Dimensions: 281x110x44mm
Operation Temperature: -35°C / +60°C
Consumption: <150 mA
Setting by Free Software
Time Settings Gating
Surface Mounting

VSP 816

16 BUTTON OUTDOOR UNIT

Outdoor
Wiring: 2 Wires, non-polarity
Up to 16 departments (monitors or audio handset)
Dimensions: 316x133x48mm
Operation Temperature: -35°C / +60°C
Consumption: <150 mA
Setting by Free Software
Time Settings Gating
Surface Mounting

VSP 898

OUTDOOR UNIT

Outdoor
Wiring: 2 Wires, non-polarity
Illuminated Display
Up to 1984 departments (monitors or audio handset)
Password and ID Card Access
Dimensions: 350 x 128 x 58 mm
Operation Temperature: -35° C / +60° C
Consumption: Standby <33mA, Working status<157 mA
Setting by Free Software
On Screen list of departments
Time Settings Gating
Surface Mounting
Lock connection
CAMERA
Sensor: 1/3
View Range: ajustable
Night vision: Infrared Illuminators

VSP 891

OUTDOOR UNIT

Outdoor
Wiring: 2 Wires, non-polarity
ID Card Access
Dimensions: 179 x 94 x 42 mm
Operation Temperature: -35° C / +60° C
Surface and flush mounting
Lock connection
CAMERA
Sensor: 1/3
View Range: 170°
Night vision: Infrared Illuminator

TSP 800

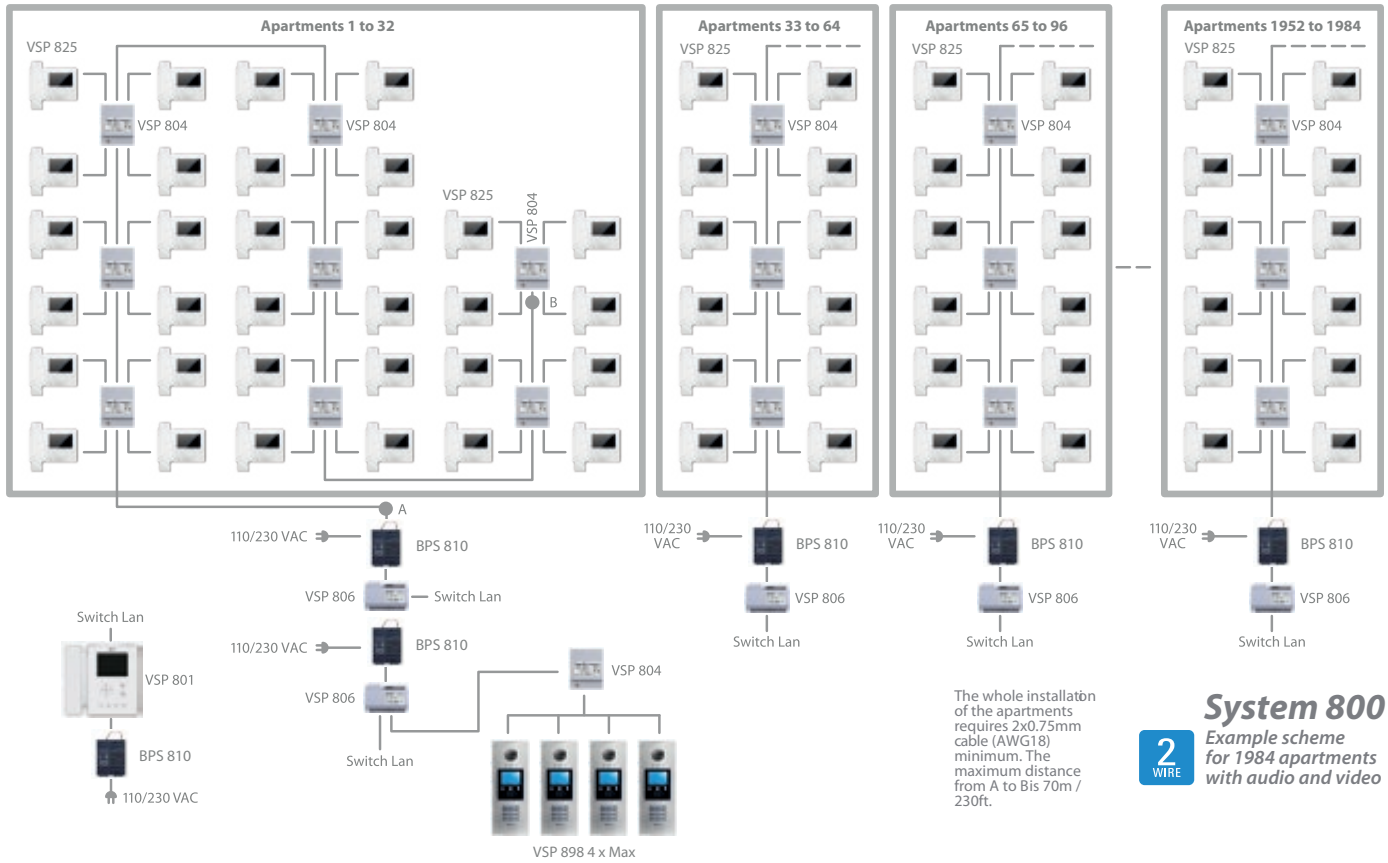
AUDIO HANDSET

Power: 24VDC
Wiring: 2 Wires, non-polarity
Dimension: 187 x 97 x 33 mm
Microphone sensitivity: -60db
Operation Temperature: -10° C / +50° C
Handset
Ultra slim / Surface Mounting
Intercom Function
Ringtone Setting
Volume Selector
Easy Installation
Door Control
Surface Mounting

BPS 810

POWER SUPPLY

Power: 110 / 220 VAC
Power: 26VDC - 1.5A
Wiring: 2 Wires, non-polarity
Dimensions: 140 x 100 x 70 mm
Operation Temperature: -35° C / +60° C
Rail Din Mounting
ACCESSORIES:
– VSP 803, Relay Actuator
– VSP 804, 4 channels Interface with Rail Din Mounting
– VSP 806, Gateway for Doorman Unit with Rail Din Mounting



2
WIRE

System 800
Example scheme
for 1984 apartments
with audio and video



VSP 823



VSP 825



VSP 828



VSP 827



VSP 801



VSP 818



VSP 816



VSP 898



VSP 891



TSP 800



BPS 810



VSP 806



VSP 804